

General Specifications

Terminal Blocks (for ProSafe-RS)



GS 32Q06L30-31E

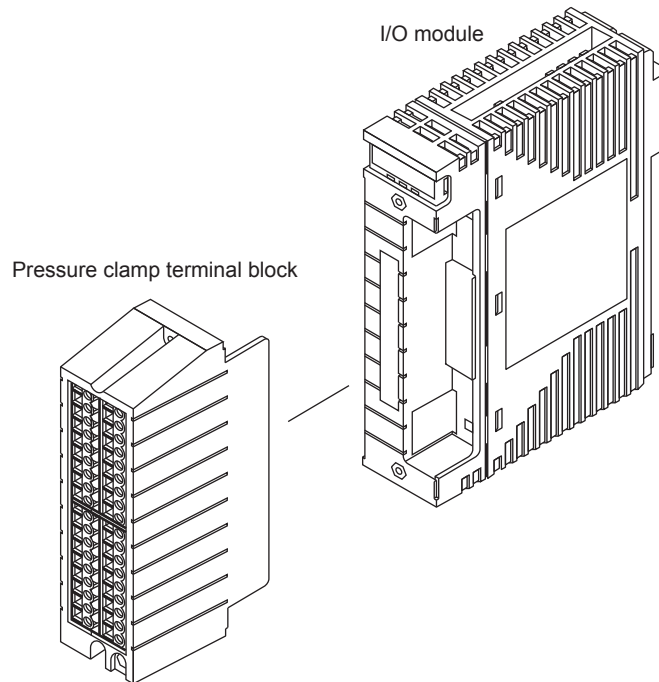
■ GENERAL

This GS provides the hardware specifications of the terminal blocks used for the I/O module.

■ STANDARD SPECIFICATIONS

The I/O module is connected to field equipment, with a terminal block installed.

There are some types of pressure clamp terminal which have a built-in surge absorber that protects the I/O module from surges. These are compatible with EMC standard EN 61000-6-2.

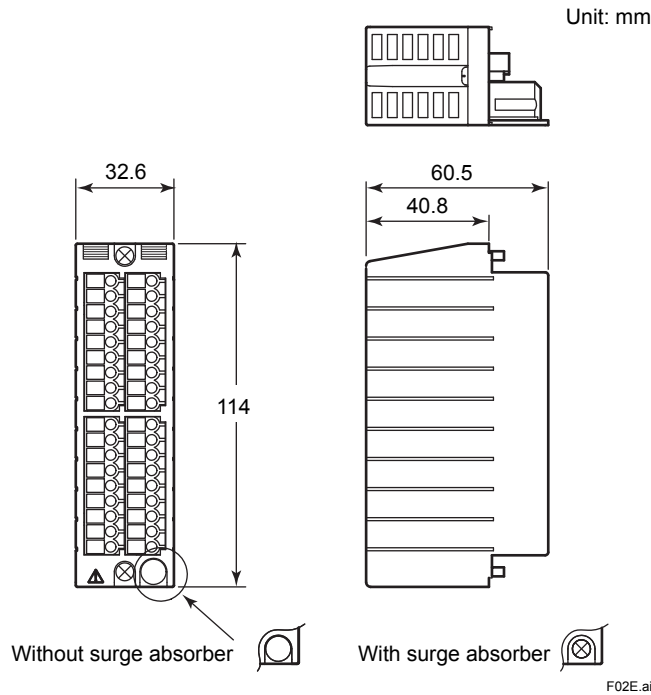


F01E.ai

Model	Application	Number of connection points	Connection module	Connection cable	Weight	Specifications
–	Pressure clamp terminal					
STA4S	For analog signals (single configuration)	16-channel	SAI143 SAV144 SAI533	–	Approx. 0.2 kg	Select “with surge absorber” or “without surge absorber.”
STA4D	For analog signals (dual-redundant configuration)				Approx. 0.3 kg	
STB4S	For digital I/O (single configuration)	16- or 8-channel	SDV144 SDV531 SDV541	–	Approx. 0.2 kg	
STB4D	For digital I/O (dual-redundant configuration)				Approx. 0.4 kg	

EXTERNAL DIMENSIONS

● STA4S, STB4S

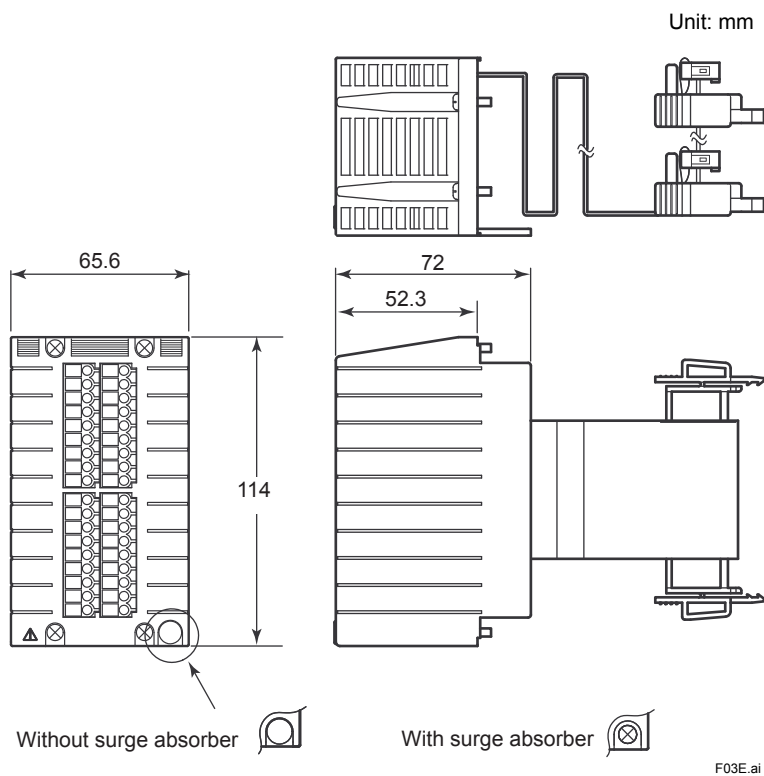


Nominal Tolerances :

When the reference dimension is over 0.5 mm and equal or less than 120 mm, its nominal tolerance is ± 0.8 mm, while its combination of nominal tolerance is ± 1.5 mm.

When the reference dimension is over 120 mm, its nominal tolerance is in accordance with JEM 1459.

● STA4D, STB4D



Nominal Tolerances :

When the reference dimension is over 0.5 mm and equal or less than 120 mm, its nominal tolerance is ± 0.8 mm, while its combination of nominal tolerance is ± 1.5 mm.

When the reference dimension is over 120 mm, its nominal tolerance is in accordance with JEM 1459.

■ MODEL AND SUFFIX CODES

Pressure clamp terminal block

		Description
Model	STA4S	Pressure Clamp Terminal Block for Analog Signals (16-channel with ISA Standard G3)
	STB4S	Pressure Clamp Terminal Block for Digital Signals (16- or 8-channel with ISA Standard G3)
Suffix Codes	-0	Without surge absorber
	-1	With surge absorber
	0	Always 0

Dual-redundant pressure clamp terminal block

		Description
Model	STA4D	Pressure Clamp Terminal Block for Analog Signals, Dual-Redundant Use (16-channel, with ISA Standard G3)
	STB4D	Pressure Clamp Terminal Block for Digital Signals, Dual-Redundant Use (16- or 8-channel, with ISA Standard G3)
Suffix Codes	-0	Without surge absorber
	-1	With surge absorber
	0	Always 0

■ CONFORMITY STANDARDS

Refer to “ProSafe-RS Standards Compliant Models” (GS 32P01B60-01EN).

■ ORDERING INFORMATION

Specify the model and suffix codes.

■ TRADEMARKS

- ProSafe is a registered trademark of Yokogawa Electric Corporation.
- Other company and product names appearing in this document are trademarks or registered trademarks of their respective holders.